



BOMAG
FAYAT GROUP

Single Drum Vibratory Roller

BW55E



Easy to operate.



Foldable steering handle for compact dimensions.

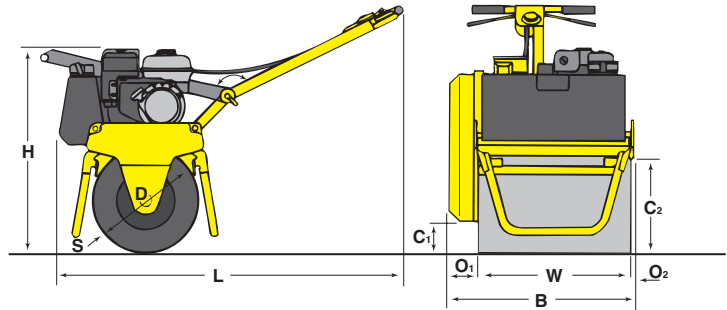


Technical Specifications

BW55E

Shipping dimensions
in cubic feet (m³)

BW55E 21.2 (0.6)



Standard Equipment

- ✓ Vibration drive via centrifugal clutch
- ✓ Water sprinkler system
- ✓ Removable water tank
- ✓ Fold-over steering handle
- ✓ Scrapers front and rear
- ✓ Support bars front and rear
- ✓ Honda engine with low oil shut off

Dimensions in inches (mm)

	B	C ₁	C ₂	D	H	L	O ₁	O ₂	S	W
BW55E	26.7 (678)	4.9 (125)	13 (330)	15.7 (400)	35.4 (900)	43.3 (1100)	3.9 (100)	0.71 (18)	0.2 (5)	22 (560)

Technical data

Weights

Basic Weight	lbs	(kg)	333	(151)
Operating Weight CECE	lbs	(kg)	355	(161)
Static linear load CECE	pli	(kg/cm)	16.2	(2.9)

Dimensions

Working width	in	(mm)	22	(560)
Dimensions	see sketch			

Driving Characteristics (depending on site conditions)

Speed (1), forward/reverse	mph	(kmph)	0-0.7	(0-1.1)
Speed (2), forward/reverse	mph	(kmph)	0-1	(0-1.6)
Max. gradeability without/wich vibration			25/20	

Drive

Engine manufacturer			Honda	
Type			GX 120	
Cooling			Air	
Number of cylinders			1	
Performance ISO 9249 (max)	hp	(kW)	3.5	(2.6)
Speed (max)	rpm		2750	
Fuel			gasoline	
Starting device			recoil	
Drive System			mechanical	

Vibratory system

Drive system			mechanical	
Frequency	vpm	(Hz)	4620	(77)
Amplitude	in	(mm)	0.02	(0.5)
Centrifugal force	lbs	(kN)	2250	(10)

Sprinkler system

Type of sprinkler			gravity	
-------------------	--	--	---------	--

Capacities

Fuel	gal	(l)	0.7	(2.5)
Water	gal	(l)	4.2	(16)

Technical modifications reserved. Machines may be shown with options.

